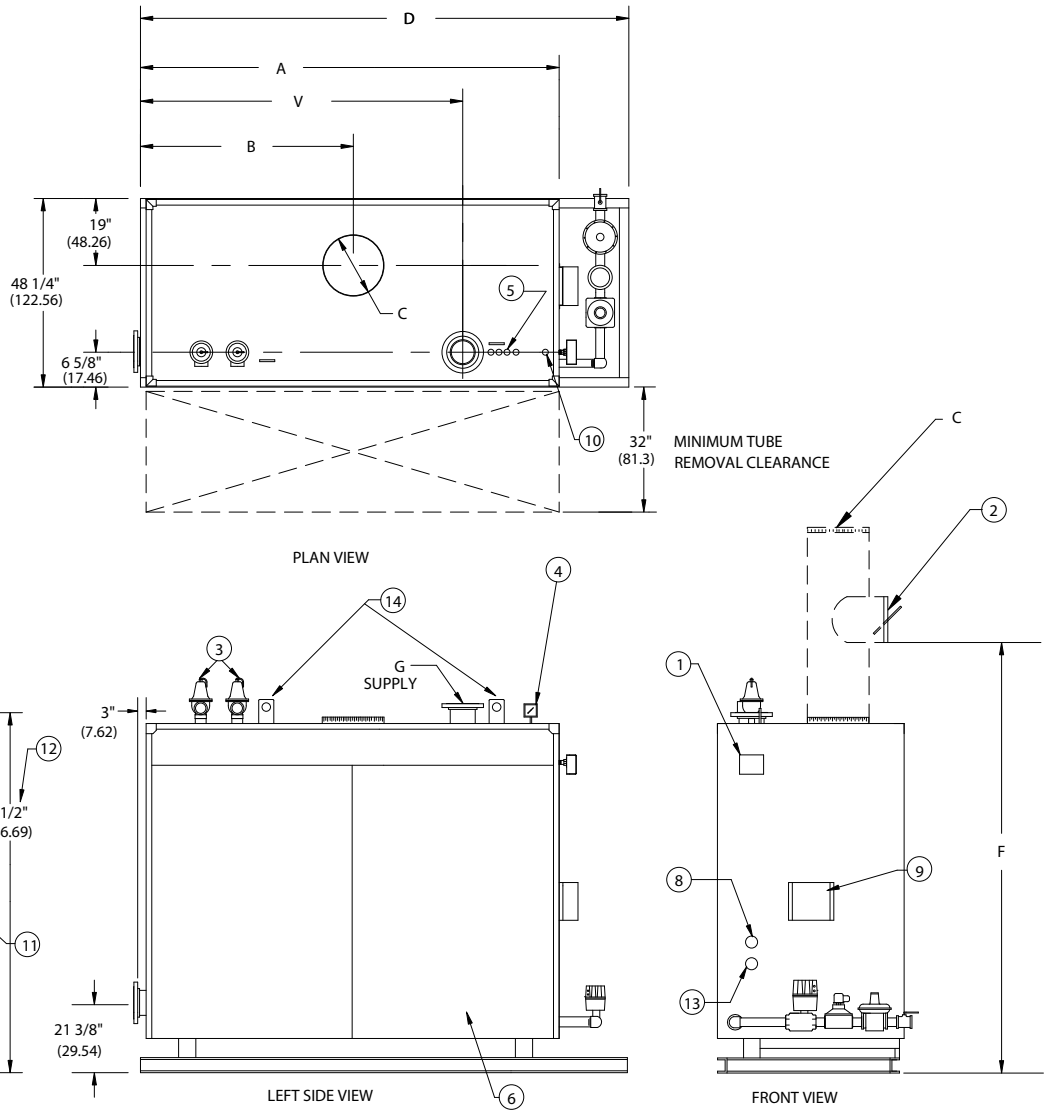


K SERIES ATMOSPHERIC GAS
WATER BOILERS (K350-K650)

EFFECTIVE DATE: 05/05/03
REPLACES: 09/2/97

NOTES:

1. ALL DIMENSIONS ARE IN INCHES THOSE IN PARENTHESES ARE CENTIMETERS.
2. LOCATION DIMENSIONS ARE ALL $\pm 1/2"$.
3. GAS TRAIN AND CONTROL WILL VARY DEPENDING ON JOB SPECIFICATIONS & CONDITIONS.
4. DIMENSIONS ARE SUBJECT TO CHANGE WITHOUT NOTICE. CONSULT FACTORY FOR CERTIFIED DIMENSIONS.
5. ALL FLANGES ARE 150# UNLESS OTHERWISE NOTED, FLANGES TO STRADDLE CENTER LINE.



1. PROBE TYPE L.W.C.O.-
2. BARO DRAFT CONTROL (LOOSE)
3. RELIEF VALVE'S
4. PRESS/TEMP. GAUGE
5. CONTROL TAPPINGS 3/4" NPT

6. JACKET ACCESS PANELS
- 7.
8. CLNOUT./INSP. OPNG.-1 1/2"NPT
9. ELEC. ENCLOSURE-
10. VENT CONNECTION 1" NPT

11. HEIGHT OVER JACKET
12. HEIGHT OVER SUPPLY
13. DRAIN CONNECTION 2" NPT
14. LIFTING LUGS
- 15.

- 16.
- 17.
- 18.
- 19.
- 20.

BOILER MODEL	K350	K400	K450	K500	K550	K600	K650
A-LENGTH OVER JACKET	107 1/4" (272.42)	117" (297.13)	129 3/4" (329.57)	142 1/2" (361.95)	155 1/2" (394.97)	165" (419.10)	178" (452.12)
B-FLUE LOCATION	54 1/8" (137.48)	59" (149.86)	65 3/8" (166.05)	71 3/4" (182.25)	78 1/4" (198.76)	83" (210.82)	89 1/2" (227.33)
C-FLUE DIAMETER	24" (60.96)	24" (60.96)	26" (66.04)	28" (71.12)	30" (76.2)	30" (76.2)	30" (76.2)
D-LENGTH OVER BASE	123 1/4" (313.06)	133" (337.82)	145 3/4" (370.21)	158 1/2" (402.59)	171 1/2" (435.61)	181" (459.74)	194" (492.76)
F-HEIGHT TO BAROMETRIC	97 1/2" (247.65)	97 1/2" (247.65)	99 1/2" (252.73)	101 1/2" (257.81)	103 1/2" (262.89)	103 1/2" (262.89)	103 1/2" (262.89)
G-SUPPLY-RETURN NOZZLE SIZE	4" FLG (10.2)	6" FLG (15.24)	6" FLG (15.24)	6" FLG (15.24)	6" FLG (15.24)	6" FLG (15.24)	6" FLG (15.24)
V-SUPPLY NOZZLE LOCATION	75 3/4" (192.41)	85 1/2" (217.17)	98 1/4" (249.56)	111" (281.94)	124" (314.96)	133 1/2" (339.09)	146 1/2" (372.11)



783 NORTH CHILI AVE
PERU, INDIANA 46970

ORDER NO.:
ORDER REV. NO.:
FORM NO.: 1604

K SERIES ATMOSPHERIC GAS WATER BOILERS

BOILER MODEL		K350	K400	K450	K500	K550	K600	K650
INPUT	MBH	3,500	4,000	4,500	5,000	5,500	6,000	6,500
	(KW)	1,025.5	1,172.0	1,318.5	1,465.0	1,611.5	1,758.0	1,904.5
OUTPUT*	MBH	2,800	3,200	3,600	4,000	4,400	4,800	5,200
	(KW)	820.4	937.6	1,054.8	1,172.0	1,289.2	1,406.4	1,523.6
BOILER HORSEPOWER	HP	84	96	108	120	131	143	155
	(KW)	823	941	1,058	1,176	1,284	1,401	1,519
TUBE DIAMETER	INCHES	1.50	1.50	1.50	1.50	1.50	1.50	1.50
	(CM)	3.81	3.81	3.81	3.81	3.81	3.81	3.81
NUMBER OF TUBES		53	59	67	75	83	89	97
PRESSURE VESSEL								
VOLUME	GAL	146	160	179	198	217	232	251
	(L)	552.6	605.6	677.5	749.4	821.3	878.1	950.0
HEATING SURFACE	SQ FT	424	480	540	600	661	717	777
	(SQ M)	39.4	44.6	50.2	55.8	61.4	66.6	72.2
OPERATING WEIGHT	LBS	5,980	6,645	7,355	8,060	8,770	9,445	10,155
	(KG)	2,712.5	3,014.2	3,336.2	3,656.0	3,978.1	4,284.3	4,606.3
SHIPPING WEIGHT	LBS	4,760	5,310	5,860	6,410	6,960	7,510	8,060
	(KG)	2,159.1	2,408.6	2,658.1	2,907.6	3,157.1	3,406.5	3,656.0
RELIEF VALVE TYPICAL 30 PSIG (206.8 KPA)								
QUANTITY		1	1	2	2	2	2	2
SIZE	INCHES	2 x 2½	2 x 2½	1¼ x 2	2 x 2½	2 x 2½	2 x 2½	2 x 2½
	(CM)	5.08 x 6.35	5.08 x 6.35	3.17 x 5.08	5.08 x 6.35	5.08 x 6.35	5.08 x 6.35	5.08 x 6.35
CAPACITY-TOTAL	MBH	5,250	5,250	5,800	10,500	10,500	10,500	10,500
	(KW)	1,538.2	1,538.2	1,699.4	3,076.5	3,076.5	3,076.5	3,076.5
RELIEF VALVE TYPICAL 125 PSIG (861.8 KPA)								
QUANTITY		1	1	1	1	2	2	2
SIZE	INCHES	1¼ x 1¼	1¼ x 1¼	1½ x 1½	1½ x 1½	1¼ x 1¼	1¼ x 1¼	1¼ x 1¼
	(CM)	3.17 x 3.17	3.17 x 3.17	3.81 x 3.81	3.81 x 3.81	3.17 x 3.17	3.17 x 3.17	3.17 x 3.17
CAPACITY-TOTAL	MBH	5,370	5,370	6,460	6,460	10,740	10,740	10,740
	(KW)	1,573.4	1,573.4	1,892.8	1,892.8	3,146.8	3,146.8	3,146.8

* Output based on nominal 80% of Input. Actual combustion efficiencies may be higher.